

## MODELS



Round



Square

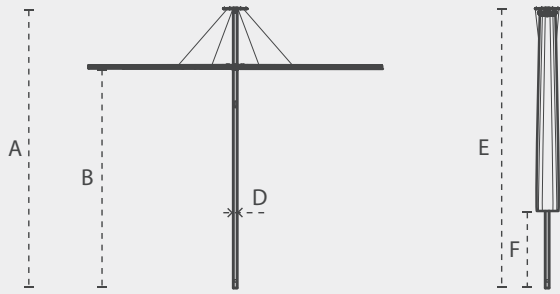
## POSITIONS



## COLORS

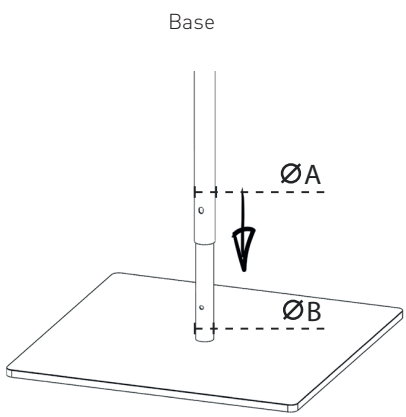
<b>SUNBRELLA</b>	Marble	Curacao	Mint	Blush	Pepper	Lichen	Adriatic	Blue Storm	Flanelle	Black
<b>SOLIDUM</b>	Natural	Canvas	Grey	Taupe	All colors of the Sunbrella fabric range furniture grade Solids' (no stripes or patterns) are available on special request with a minimum order quantity of 10 pcs. Contact Umbrosa for more information.					

DIMENSIONS

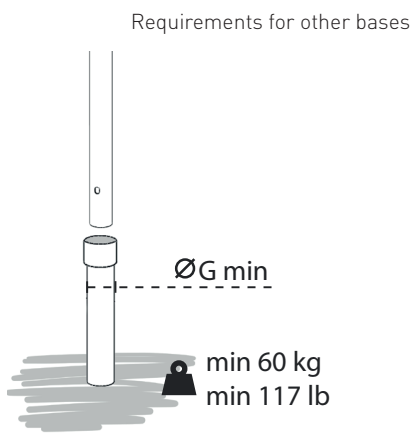
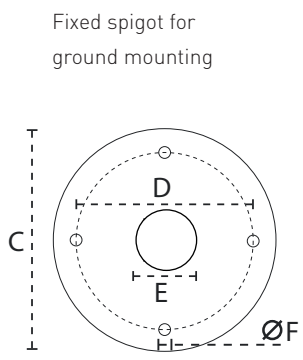


	$\pm 2\%$ Tolerance	A cm/ft	B cm/ft	D mm/inch	E = A cm/ft	F cm/ft
	3m/9' 10"	275/9'	225/7' 5"	Ø50x2 / Ø2"x0.1"	275/9'	117/3' 10"
	3m/9' 10"	275/9'	225/7' 5"	Ø50x2 / Ø2"x0.1"	275/9'	55/1' 9.7"

DIMENSIONS FOR BASE AND ROUND SUPPORT



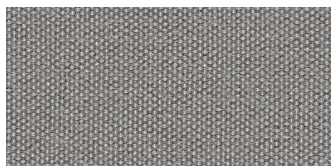
Powder coated RAL 7047 (Grey) or RAL 8022 (Dusk)



	A mm/inch	B mm/inch	C mm/inch	D mm/inch	E mm/inch	F mm/inch	G mm/inch
spigot and post dimensions	50/2"	45/1.8"	215/8.5"	170/6.7"	45/1.8"	11/0.43"	52/2.1"

For non-permanent base options – see spec sheet Installation Options

## MATERIALS



### FABRIC

Solidum – 100% Acryl 255 gr/m<sup>2</sup>

Sunbrella – 100% Acryl 260 gr/m<sup>2</sup>

More details – see spec sheet Fabrics

Confection Scheme:



Solidum 3m RO, 3m SQ  
Sunbrella 3m RO



Sunbrella 3m SQ



### RIBS

Naturally anodized aluminum



### POLE

Naturally anodized aluminum or powder coated aluminum RAL 8022 (Dusk)

### OTHER MATERIALS

Cables : stainless steel Ø 2mm

Top plate : aluminum powder coated

RAL 7047 TEC (Grey) or RAL 8022 TEC (Dusk)

Hub: PA6 30% Glass fiber

Rope: Ø 5mm

For projects – consult Umbrosa for powder coating finish options (RAL).

## PACKAGING & TRANSPORT

Infina	L (cm)	W (cm)	H (cm)	Weight (kg)	L (")	W (")	H (")	Weight (lbs)
Umbrella box	281	27	27	11	9'2"	10"	10"1/2	24.2

## NICE TO KNOW

- Spare parts available
- Designed and manufactured in Belgium
- Warranty between 15 and 2 years, see Warranty Sheet
- Manual included
- Storage bag included (PU coated fabric)
- Wind speeds up to 6 beaufort, 50 km/h, 31 mph when base is permanently fixed
- Tested at TU Delft

The content of this document, in particular the mentioned models, is protected by copyrights and/or design rights. The present document and its content is communicated to you for information purposes only. Any partial or total reproduction or any other use without our prior written permission is strictly prohibited. This technical sheet remains subject to possible changes. Of course we do our best to eliminate all mistakes, but Umbrosa is not responsible for the errors in the documentation of products. All measurements are approximate and are provided for informational purposes only.